



### DIN 6330 Hex Nut

Leader-Fastener is a manufacturer and distributor of **DIN 6330 Hex Nut**. We have a complete line of service from having invested in production plants, export department and to having a quality control team and center to meet your requirements. We regard quality as the life of the company. We persist in good quality as the first policy and have established a set of quality control and inspection system according to the international standard. We have carried out ISO9001 Quality Guarantee System in every course of production, transportation and selling. We do hope we could be your partner in business by topping

quality, knight service and competitive price in the near future and be your friends as well.

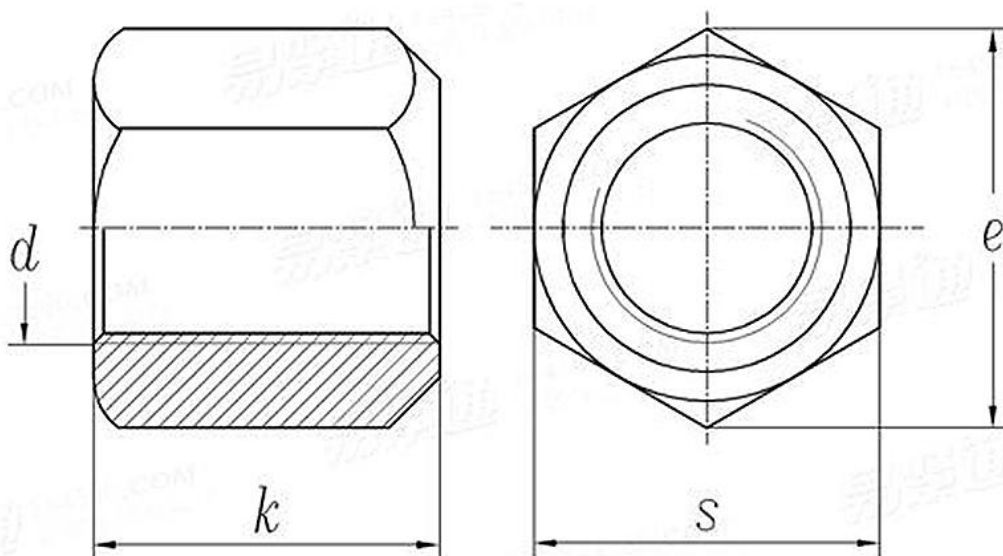
Metric **DIN 6330 Hex Nut** are hex nuts that are thicker than standard metric hex nuts. **DIN 6330 metric hex nuts** have a height of 1.5 x the diameter. Also one of the faces is rounded matching DIN 6319 conical seats which in certain assemblies can compensate for uneven surfaces.

### Product Specification of DIN 6330 Hex Nut

Material : Carbon steel, Stainless steel, Alloy Steel, Brass.

Finishment: Black, Zinc Plated, Zinc Yellow, HDG, Phosphate, DACROMET, Geomet, Magin, Ruspert, Teflon, etc.

### DIN 6330 - 2003 Hexagon Nuts with a Height of 1.5d



Screw Thread			M6	M8	M10	M12	M16	M20	M24	M30	M36	M42	M48
D													
P	Pitch		1	1.25	1.5	1.75	2	2.5	3	3.5	4	4.5	5
k	js15	Nominal Size	9	12	15	18	24	30	36	45	54	63	72
		max	9.29	12.35	15.35	18.35	24.42	30.42	36.5	45.5	54.6	63.6	72.6
		min	8.71	11.65	14.65	17.65	23.58	29.58	35.5	44.5	53.4	62.4	71.4
s	h13/h14	max	10	13	16	18	24	30	36	46	55	65	75
		min	9.78	12.73	15.73	17.73	23.67	29.67	35.38	45.38	54.26	64.26	74.26
e	min		11.05	14.38	17.77	20.03	26.75	33.53	39.98	51.28	61.31	72.61	83.91
per 1000 units≈kg			4	9	17	24	57	107	187	395	679	1140	1780